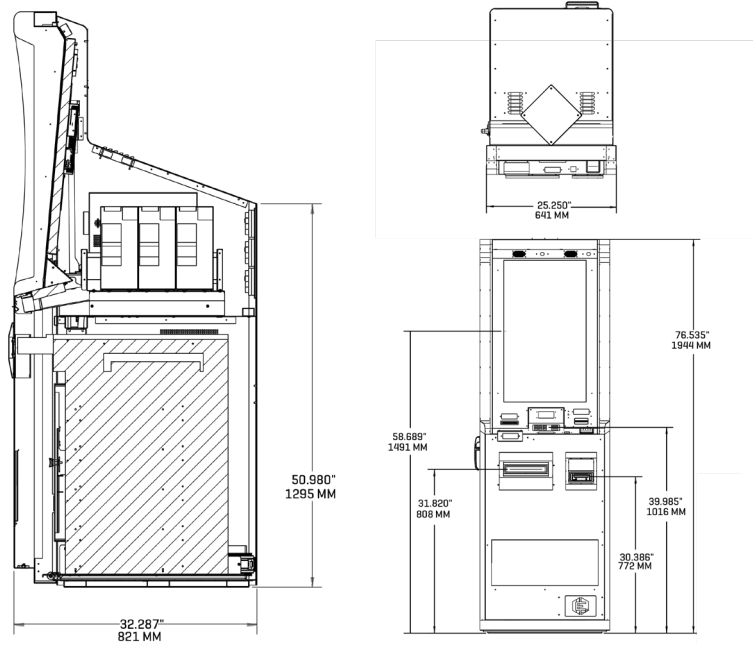




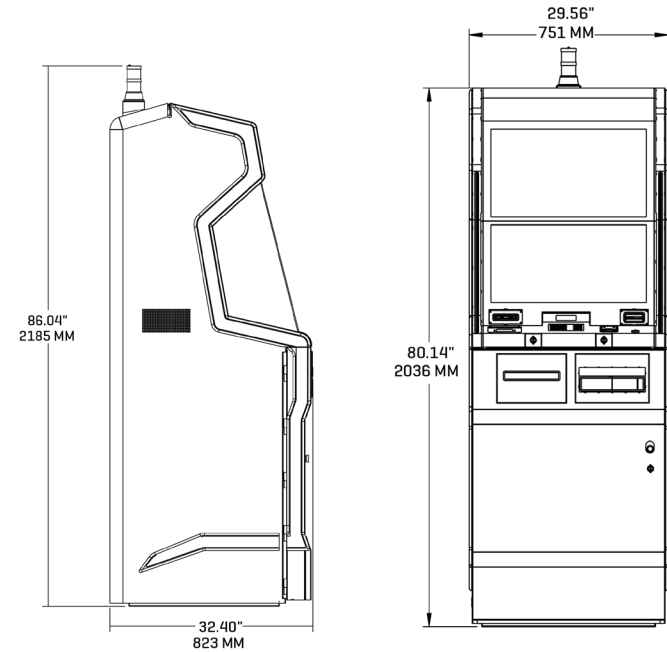
CXC 5.0 L & CXC 5.0

Everi's newest full service kiosks (CXC 5.0 L and CXC 5.0) are redesigned with the casino in mind! Sleek new devices offer casinos additional opportunities for casino marketing while providing state of the art privacy features to ensure secure transactions. Designed for smaller volume properties, the CXC 5.0 L offers similar services as the CXC 5.0 with a smaller footprint, and a lower cost.

With full integration with other Everi Payments products, such as CashClub DCCA/CCCA, Everi Compliance®, and the robust CashClub® Wallet, these new kiosks give properties an opportunity to move cage based transactions to the casino floor while still providing traditional functionality like ATM, ticket redemption and bill breaking.



CXC 5.0 L



CXC 5.0

SPECIFICATIONS

SPECIFICATIONS	CXC 5.0 L
NFC Reader	Optional
Number of Dispensing Cassettes	1-5 [4 is recommended]
Note Capacity per Cassette	3,000
Number of Monitors	1
Monitor Specs	32"
Dimensions	TBD
Bunch presenter	✓
Coin Hoppers	3
Number of bill acceptors	1
Interchangeable cash cassettes	✓
Payment dispense option	Cash/Ticket
ATM transactions	✓
Accepts video feeds	Internal

SPECIFICATIONS

SPECIFICATIONS	CXC 5.0
NFC Reader	✓
Number of Dispensing Cassettes	1-6
Note Capacity per Cassette	3,000
Number of Monitors	2 [1 for Marketing, 1 for Transactions]
Monitor Specs	27"
Dimensions	TBD
Bunch presenter	✓
Coin Hoppers	3
Number of bill acceptors	1-2
Interchangeable cash cassettes	✓
Payment dispense option	Cash/Ticket
ATM transactions	✓
Accepts video feeds	External